

REMA YAS ratchet hoist



The REMA YAS Puller is an extremely robust ratchet hoist for pulling in all directions. With one simple action the ratchet hoist can be set in its freewheel.

Fitted with shipyard hooks.

Properties

- Technical specifications see YA ratchet hoist.
- Equipped with shipyard hooks, only suitable for pulling.
- Can be used to pull steel sections together.

Standard delivery

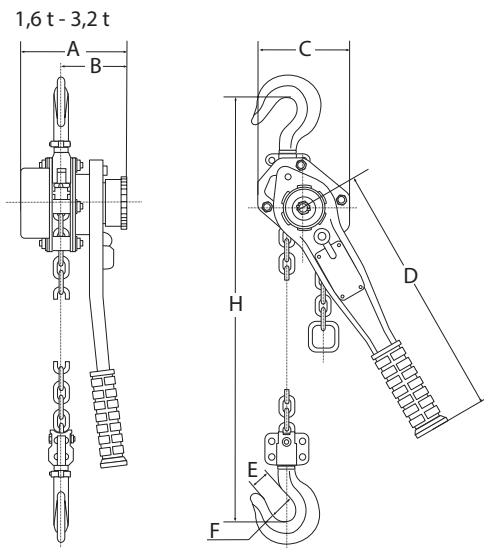
- 1.5 m working length (maximum distance between top and bottom hook).

Option

- Longer chain length are available.

Norm:

- EN12100-1/2, EN13157, EN818-7



Type	WLL (kg)	Hand force max. (kg)	Load chain (mm)	Number of falls	Construction height (mm)	Weight (kg)	ProductId
YAS-1600KG-SW	1.600	37	7,1 x 21,0	1	352	9.2	0208006
YAS-3200KG-SW	3.200	37	9,0 x 27,2	1	420	15.5	0208008

Type	A (mm)	B (mm)	C (mm)	D (mm)	E (mm)	F (mm)	H (mm)
YAS-1600KG-SW	162	99	136	310	34	45	352
YAS-3200KG-SW	186.5	104	180	310	47	57	420